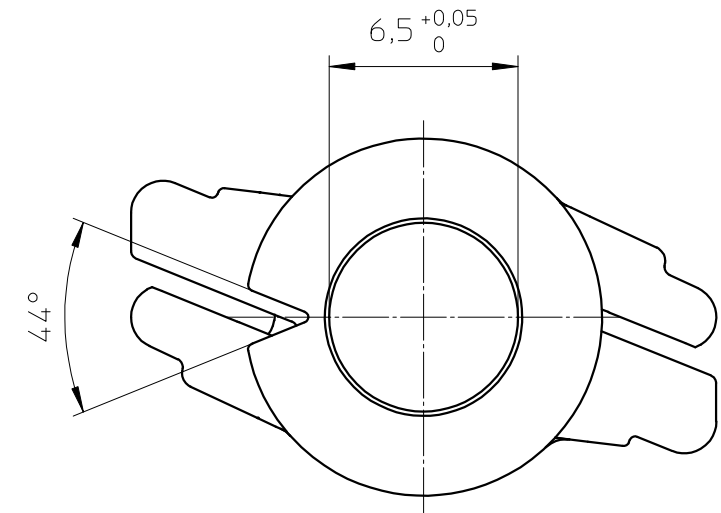
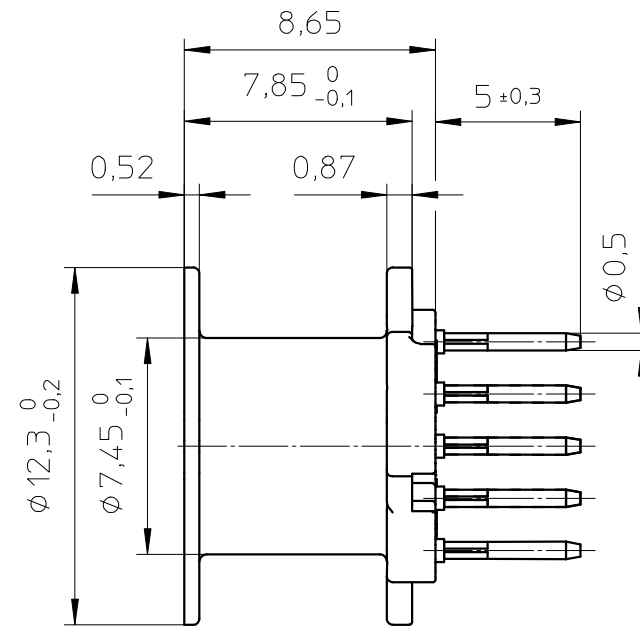
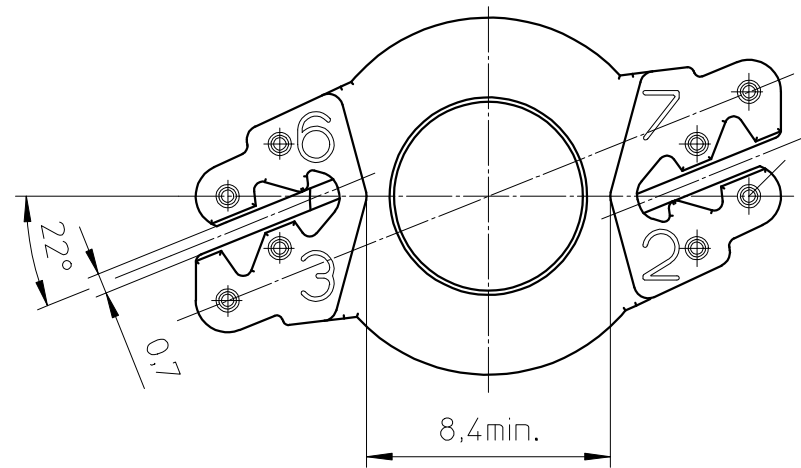
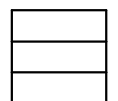
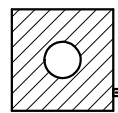
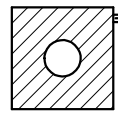
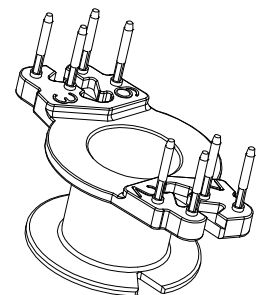
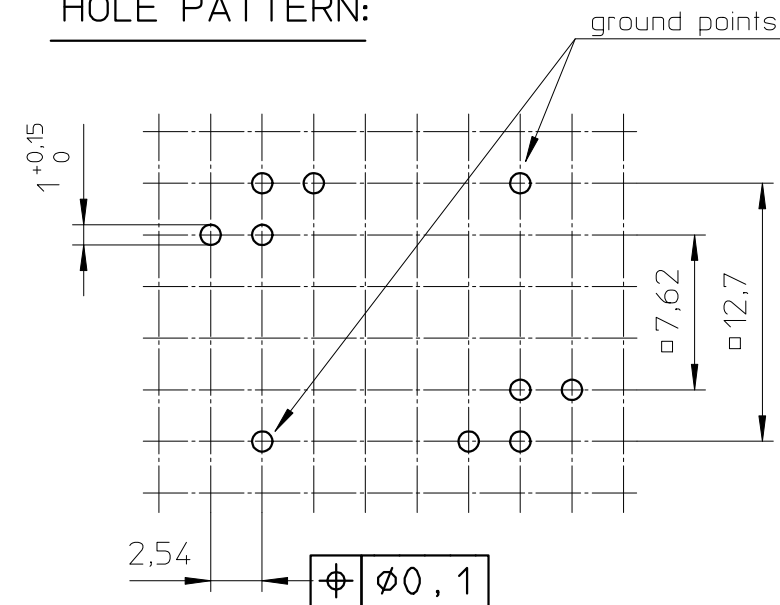


FERROXCUBE



HOLE PATTERN:



Coil former material: Bakelite UP 3420 (UP), glass-reinforced.
 UL file number: E61040(M) - UL94V-0.
 Pin material: CuSn - Ni flash, Sn plated.
 Max. operating temp.: acc. to IEC 60 085 class H, 180°C.
 Resistance to soldering heat: acc. to IEC 60 068-2-20 Part 2, Test Tb, method 1B, 350°C - 3.5s.
 Solderability: acc. to IEC 60 068-2-20 Part 2, Test Ta, method 1, 235°C - 2s.
 Min. winding area: 14,5 mm².
 Mean length of turn: 30,7 mm.

CLASS.NO.	98-01-20		001		SH BL	SH BL	110 - 001	069	A3
NAME NAAM	M.Veekens		SUPERS. VERV.		PROPERTY OF EIGENDOM VAN		© FERROXCUBE 2000		
CHECK CONTR.	DAT.		97-05-16		4322 021 00411		1 97-05-16 1 98-01-20 1 03-06-30 1 05-09-01		