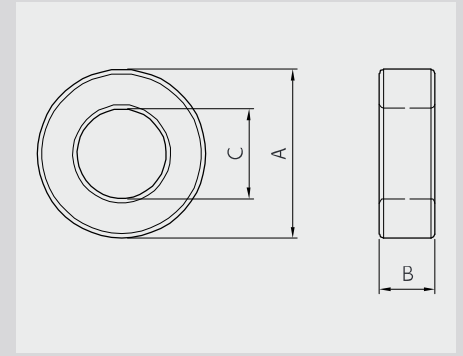


OR CORES



Part No.	Dimensions in mm		
	A	B	C
OR31.8×11.5-19H	31.75 ±0.60	11.50 ±0.40	19.00 ±0.50
OR36×10-23H	36.00 ±0.50	10.00 ±0.30	23.00 ±0.50
OR36×10-23HU	36.00 ±0.50	10.00 ±0.30	23.00 ±0.50
OR36×15-23H	36.00 ±0.50	15.00 ±0.30	23.00 ±0.50
OR36×15-23HU	36.00 ±0.50	15.00 ±0.30	23.00 ±0.50
OR38×13-19H	38.00 ±0.60	12.70 ±0.30	19.05 ±0.60
OR48×15-30H	48.00 ±0.80	15.00 ±0.50	30.00 ±0.80
OR48×15.2-30H	48.00 ±0.80	15.20 ±0.50	30.00 ±0.80
OR48×15.9-30H	48.00 ±0.80	15.90 ±0.50	30.00 ±0.80
OR48×16-30H	48.00 ±0.80	16.00 ±0.50	30.00 ±0.80
OR49×10-34HU	49.10 ±0.70	10.00 ±0.35	33.80 ±0.75
OR49×16-34H	49.10 ±0.70	15.90 ±0.30	33.80 ±0.75
OR49×16-34HU	49.10 ±0.70	15.90 ±0.35	33.80 ±0.75
OR60×18-40H	60.00 ±0.80	18.00 ±0.50	40.00 ±0.70
OR60×19.5-40H	60.00 ±0.80	19.50 ±0.50	40.00 ±0.70
OR60×25-40H	60.00 ±0.80	25.00 ±0.50	40.00 ±0.70
OR63×25-38H	63.00 ±1.34	25.00 ±0.50	38.00 ±0.90
OR74×13-39H	73.66 ±1.47	12.70 ±0.60	38.86 ±1.32
OR78×20-51H	78.00 ±1.00	20.00 ±1.00	50.50 ±1.00
OR78×22-51H	78.00 ±1.00	22.00 ±1.00	50.50 ±1.00

Core Set Parameters					
C1(mm ⁻¹)	Le(mm)	Ae(mm ²)	Ve(mm ³)	Aw(mm ²)	W(g)
1.060	76.3	71.7	5474	283.4	28
1.400	89.7	63.9	5731	415.3	30
1.400	89.7	63.9	5731	415.3	30
0.930	89.7	95.9	8596	415.3	43
0.940	89.6	95.8	8583	415.3	42
0.720	82.9	115.7	9585	284.9	50
0.890	118.1	132.5	15657	706.5	81
0.880	118.1	134.3	15865	706.5	83
0.840	118.1	140.5	16596	706.5	86
0.840	118.1	141.4	16700	706.5	87
1.680	127.2	75.6	9616	896.8	42
1.060	127.2	120.2	15298	896.8	80
1.060	127.2	120.2	15298	896.8	76
0.860	152.9	177.6	27140	1256.0	141
0.790	152.9	192.4	29402	1256.0	153
0.620	152.9	246.6	37695	1256.0	196
0.490	152.0	306.0	46512	1133.5	240
0.770	165.3	213.6	35298	1185.4	190
0.720	195.6	270.7	52958	2001.9	275
0.660	195.6	297.8	58254	2001.9	303