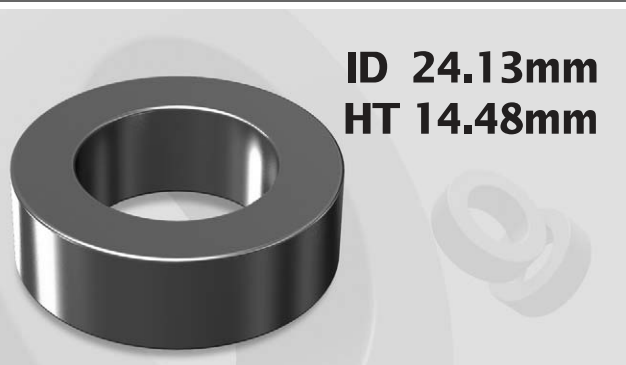


OD400

OD 39.88mm / 1.570inches



Core Dimensions

		OD(max)	ID(min)	HT(max)
Before coating	(mm)	39.88	24.13	14.48
	(inch)	1.570	0.950	0.570
After coating (Epoxy)	(mm)	40.70	23.30	15.37
	(inch)	1.602	0.918	0.605

Magnetic Dimensions

Cross Section (A)	Path Length (L)	Window Area (Wa)	Volume (V)
1.072cm ²	9.84cm	4.27cm ²	10.5485cm ³
0.1662in ²	3.88in	842,700cmil	0.6449in ³

Available Cores

MPP	Part No.				AL (nH/N ²)	Perm. (μ)
	High Flux	Sendust	Mega Flux [®]			
CM400026	CH400026	CS400026	CK400026		35	26
CM400060	CH400060	CS400060	CK400060		81	60
-	-	CS400075	CK400075		101	75
-	-	CS400090	CK400090		121	90
CM400125	CH400125	CS400125	-		168	125
CM400147	CH400147	-	-		198	147
CM400160	CH400160	-	-		215	160
CM400173	-	-	-		233	173
-	-	-	-		269	200

Winding Information

AWG Wire No.	Single Layer Dia(cm)	Turn	Rdc, Ω	AWG Wire No.	Single Layer Dia(cm)	Turn	Rdc, Ω
10	0.213	22	0.00389	19	0.0785	64	0.0804
11	0.190	25	0.00545	20	0.0701	71	0.112
12	0.171	28	0.00762	21	0.0632	80	0.158
13	0.153	31	0.0107	22	0.0566	90	0.223
14	0.137	35	0.0148	23	0.0505	100	0.309
15	0.122	40	0.0208	24	0.0452	112	0.435
16	0.109	45	0.0292	25	0.0409	125	0.611
17	0.0980	50	0.0408	26	0.0366	140	0.862
18	0.0879	57	0.0574	27	0.0330	155	1.20

Single layer winding with 1 inch leads

■ AL vs NI Curve (60μ, 125μ)

