

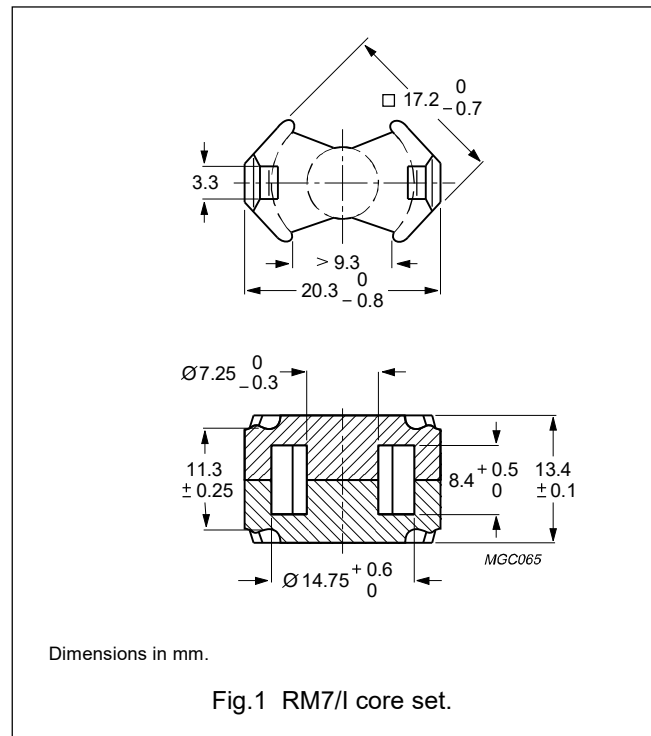
RM cores and accessories

RM7/I

CORE SETS

Effective core parameters

SYMBOL	PARAMETER	VALUE	UNIT
$\Sigma(I/A)$	core factor (C1)	0.680	mm ⁻¹
V_e	effective volume	1325	mm ³
l_e	effective length	30.0	mm
A_e	effective area	44.1	mm ²
A_{min}	minimum area	39.6	mm ²
m	mass of set	≈7.7	g



Core sets for general purpose transformers and power applications

Clamping force 40 ±20 N.

GRADE	A_L (nH)	μ_e	AIR GAP (μm)	TYPE NUMBER
3B8 ^{sup}	160 ±3%	≈89	≈400	RM7/I-3B8-A160
	250 ±3%	≈139	≈200	RM7/I-3B8-A250
	3000 ±25%	≈1670	≈0	RM7/I-3B8
3C85 ^{sup}	100 ±3%	≈56	≈800	RM7/I-3C85-A100
	160 ±3%	≈89	≈400	RM7/I-3C85-A160
	250 ±3%	≈139	≈200	RM7/I-3C85-A250
	2700 ±25%	≈1500	≈0	RM7/I-3C85
3C90 ^{sup}	2700 ±25%	≈1500	≈0	RM7/I-3C90
3F3 ^{sup}	100 ±3%	≈56	≈800	RM7/I-3F3-A100
	160 ±3%	≈89	≈400	RM7/I-3F3-A160
	250 ±3%	≈139	≈200	RM7/I-3F3-A250
	2500 ±25%	≈1390	≈0	RM7/I-3F3